

Authorised Distributors:-

ASH & ALAIN INDIA PVT LTD

S-100, F.I.E.E., Okhla Industrial Area, Phase-ii, New Delhi-110020(India)

Tel : 011-43797575 Fax : 011-43797574 E-mail : sales@ashalain.com

CPM1A Series Micro PLCs

THE COST EFFECTIVE, COMPACT AND VERSATILE
SMALL-SCALE CONTROL SOLUTION



OMRON[®]

Giving you every advantage.

CPM1A

CPM1A Features

- Micro size
- New transistor outputs CPUs that can handle pulse outputs. This feature allows the CPM1A to control one axis of motion at a time
- Built in 5kHz high-speed counter supports increment mode or phase differential inputs at 2.5kHz
- 4 different CPU modules with I/O density options 10, 20, 30 and 40. The 30 and 40 I/O blocks are expandable up to 3 modules each
- Peripheral ports that are easily converted to RS232 ports for communications with operator interface terminals or PCs



CPM1



Meet global safety standards and save space at the same time. The CPM1 is a cost-effective, benefit-laden solution for small-scale control applications with several innovative features:

- Micro size
- Meets global safety standards: UL, CSA, CE (EMC and Low Voltage directives)
- I/O density options include 10, 20 and the new 30 CDR that is expandable up to 3 modules for a total of 90 I/O
- User set input delay for more reliable inputs

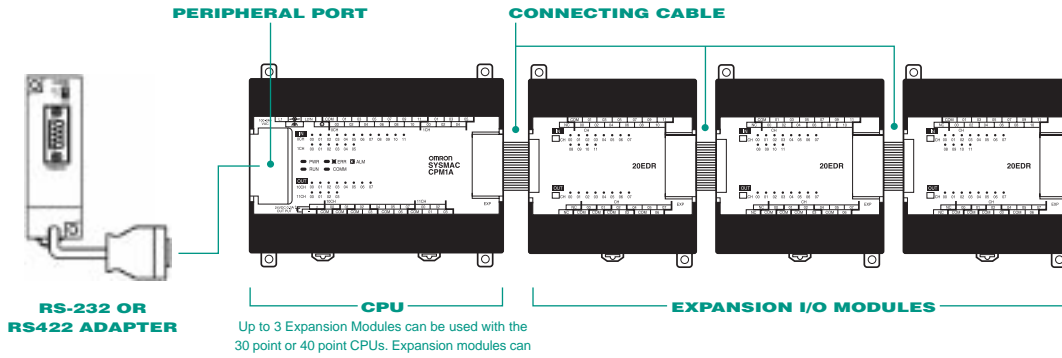
CPM1A-MAD01



Introducing the new CPM1A-MAD01 Mixed Analog Digital I/O module. Compatible with the CPM1A and the CPM1, this module is designed to facilitate the integration of analog signals into your small-scale control systems.

- 2 analog inputs/1 analog output with eight bit resolution
- Conversion time of 10 ms
- I/O signal range can be set individually for each input
- Constant monitoring for “broken wire” and for +/- voltage

CPM1A SYSTEM CONFIGURATION



CPM1A COMPLETE PRODUCT LINE

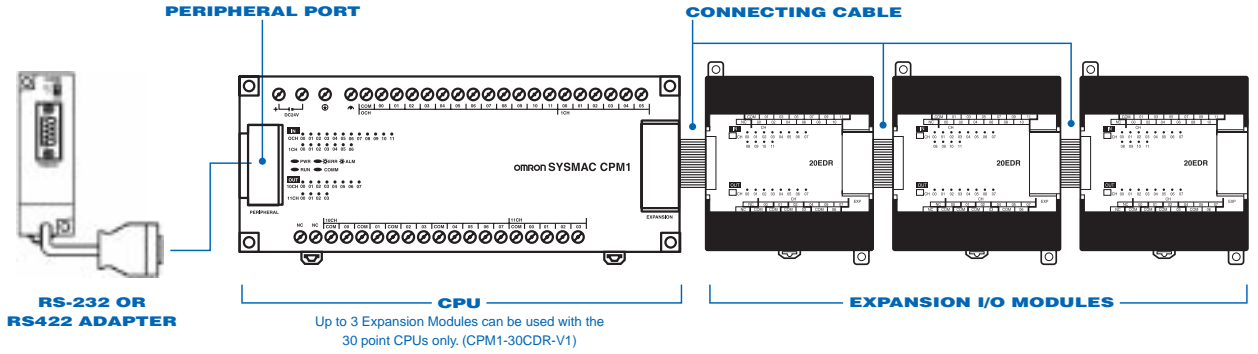
<p>AC</p> <p>CPU w/ AC power supply DC input Relay output</p>	<p>10 I/O Points CPM1A-10CD□-A (expansion module not available)</p>	<p>20 I/O Points CPM1A-20CD□-A (expansion module not available)</p>	<p>30 I/O Points CPM1A-30CD□-A</p>	<p>40 I/O Points CPM1A-40CD□-A</p>	
	<p>DC</p> <p>CPU w/ DC power supply DC input Relay output</p>	<p>10 I/O Points CPM1A-10CD□-D (expansion module not available)</p>	<p>20 I/O Points CPM1A-20CD□-D (expansion module not available)</p>	<p>30 I/O Points CPM1A-30CD□-D</p>	<p>40 I/O Points CPM1A-40CD□-D</p>
	<p>DC input Relay output</p>	<p>EXPANSION I/O MODULE CPM1A-20ED□ (for use only with 30 and 40 I/O Point CPUs) Available in: • Relay • Transistor PNP Type • Transistor NPN Type</p>	<p>ANALOG MODULE CPM1A-MAD01</p>	<p>RS-232 Adapter CPM1-C1F01</p>	<p>RS-422 Adapter CPM1-C1F11</p>

MULTIPLE EXPANSION OPTIONS

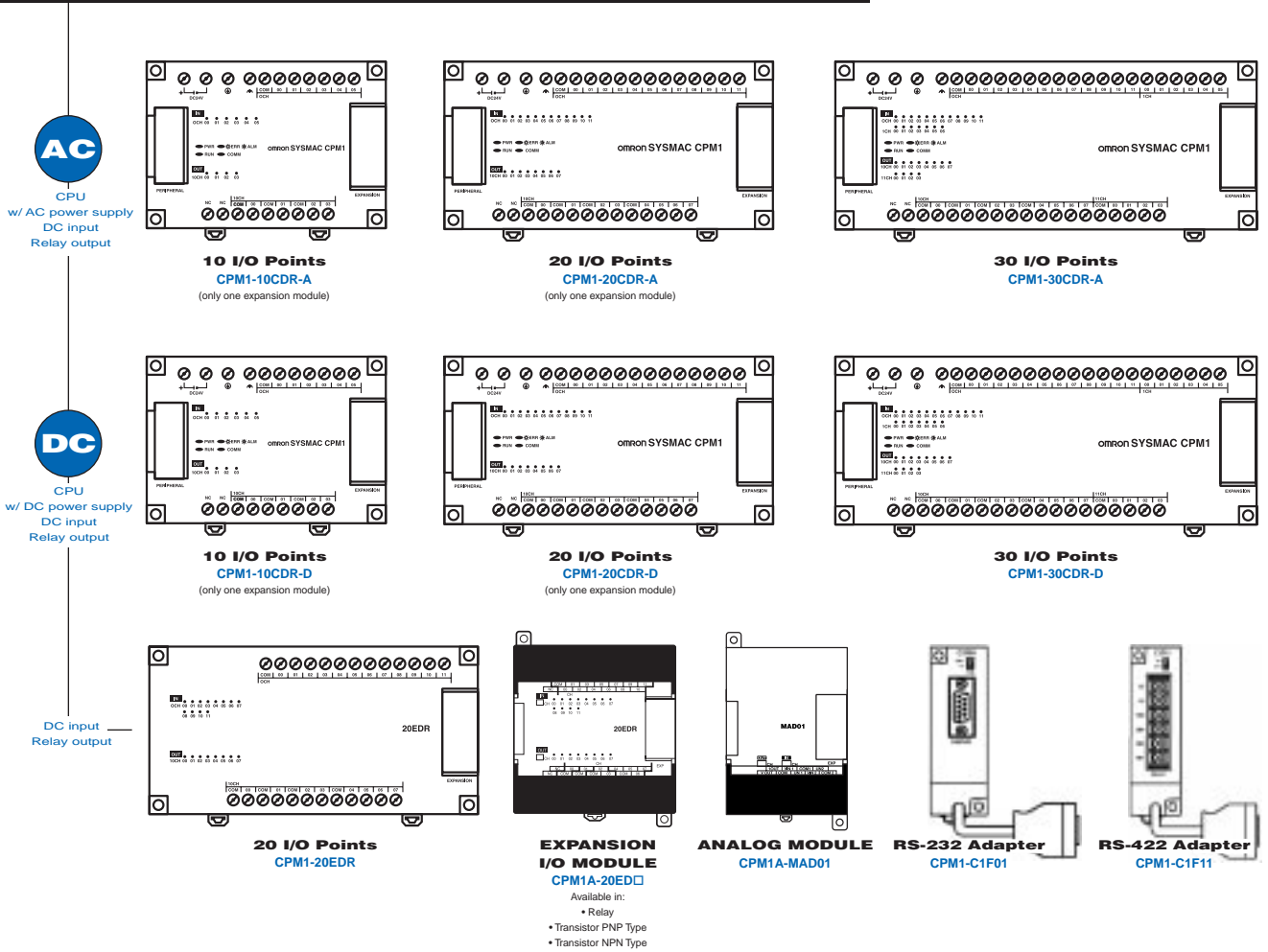
CPM1A

maximize dollars and space

CPM1 SYSTEM CONFIGURATION



CPM1 COMPLETE PRODUCT LINE



CPM1

30 CDR is expandable up to 3 modules

solutions for small-scale control applications

CPM1A



STANDARD MODELS

ITEM	MODEL	SPECIFICATIONS
CPU	CPM1A-10CD□-A	6 input points 4 output points AC power supply
	CPM1A-10CD□-D	6 input points 4 output points DC power supply
	CPM1A-20CD□-A	12 input points 8 output points AC power supply
	CPM1A-20CD□-D	12 input points 8 output points DC power supply
	CPM1A-30CD□-A	18 input points 12 output points AC power supply
	CPM1A-30CD□-D	18 input points 12 output points DC power supply
	CPM1A-40CD□-A	24 input points 16 output points AC power supply
	CPM1A-40CD□-D	24 input points 16 output points DC power supply
Expansion I/O Module	CPM1A-20ED□	12 input points, 8 output points
RS-232C Adapter	CPMI-CIF01	---
RS-422 Adapter	CPMI-CIF11	---

For '□' use: R - Relay out, T - NPN Trans out, TI - PNP Trans out

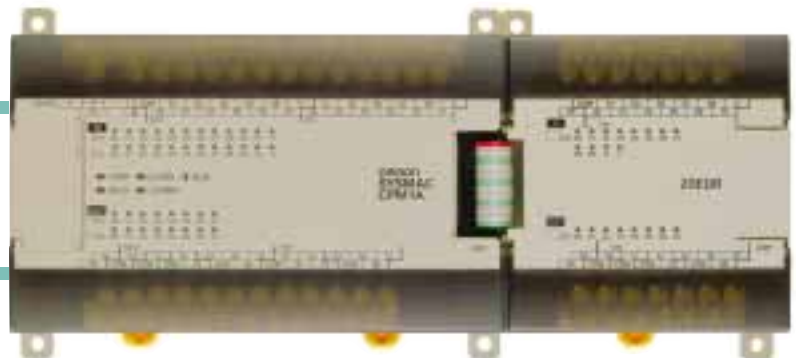
DIMENSIONS

	CPM1A-10CDR-□	CPM1A-20CDR-□	CPM1A-30CDR-□
Width	2.60in (66mm)	3.39in (86mm)	5.12in (130mm)
	Depth	AC 3.35in (85mm) DC 1.97in (50mm)	
Height	3.54in (90mm)		
	CPM1A-40CDR-□	CPM1A-20EDR	
Width	5.91in (150mm)	3.39in (86mm)	
	Depth	AC 3.35in (85mm) DC 1.97in (50mm)	
Height	3.54in (90mm)		

Combine any of the CPMI or CPM1A expansion modules (relay, transistor and analog) with the new CPM1 CPU units and solve almost any micro PLC application.

GENERAL SPECIFICATIONS

ITEM		10-POINT I/O	20-POINT I/O	30-POINT I/O
Supply voltage	AC type	100 to 240 VAC, 50/60 Hz		
	DC type	24 VDC		
Operating voltage range	AC type	85 to 264 VAC		
	DC type	20.4 to 26.4 VDC		
Power consumption	AC type	30 VAC max.		60 VAC max.
	DC type	6 W max.		20 W max.
Inrush current		30 A max.		60A max.
External power supply (AC type only)	Supply voltage	24VDC		
	Output capacity	200 mA		300 mA
Control method		Stored program method		
I/O control method		Cyclic scan with direct output; immediate refresh processing		
Programming language		Ladder diagram		
Instruction length		1 step per instruction, 1 to 5 words per instruction		
Types of instructions	Basic instructions:	14		
	Special instructions:	77 types		
Execution time	Basic instructions:	0.72 to 16.2 ms		
	Special instructions:	MOV = 16.3 ms		
Program capacity		2,048 words		
Maximum I/O points	CPU only	10 points (6 input/ 4 output points)	20 points (12 input/ 8 output points)	30 points (18 input/ 12 output points)
	With Expansion I/O Module	---	---	90 points (54 input/ 36 output points)
Input bits		00000 to 00915 (Bits not used as input bits can be used as work bits.)		
Output bits		01000 to 01915 (Bits not used as output bits can be used as work bits.)		
Work bits (IR area)		512 bits: 20000 to 23115 (Words IR 200 to IR 231)		
Special bits (SR area)		384 bits: 23200 to 25515 (Words SR 232 to SR 255)		
Temporary bits (TR area)		8 bits (TR0 to TR7)		
Holding bits (HR area)		320 bits: HR 0000 to HR 1915 (Words HR 00 to HR 19)		
Auxiliary bits (AR area)		256 bits: AR 0000 to AR 1515 (Words AR 00 to AR 15)		
Link bits (LR area)		256 bits: LR 0000 to LR 1515 (Words LR 00 to LR 15)		
Timers/Counters		128 timers/counters (TIM/CNT 000 to TIM/CNT 127) 100-ms timers: TIM 000 to TIM 127 10-ms timers: TIM 000 to TIM 003 Decrementing counters and reversible counters		
Data memory	Read/Write:	1,024 words (DM 0000 to DM 1023)		
	Read-only:	512 words (DM 6144 to 6655)		
Interrupt processing	External interrupts: 2 (Response time: 0.3 ms max.)	External interrupts: 4 (Response time: 0.3 ms max.)		
	Memory Backup	Flash memory: The memory and read-only DM area are backed up without battery Capacitor backup: The read/write DM area, HR area, AR area, and counter values are backed up by a capacitor for 20 days at 77 °F (25 °C)		
Memory protection	HR, AR, and DM area contents; and counter values maintained during power interruptions.			
Self-diagnostic functions	CPU failure (watchdog timer), I/O bus error, and memory failure			
Program checks	No END instruction, programming errors (continuously checked during operation)			
High-speed counter	One high-speed counter: 5 kHz single-phase or 2.5 kHz two-phase (linear count method) Increment mode: 0 to 65,535 (16 bits) Up/Down mode: -32,767 to 32,767 (16 bits)			
Quick-response inputs	External interrupts: 2 Min. input pulse width: 0.2 ms	External interrupts: 4 Min. input pulse width: 0.2 ms		
	Input time constant	Can be set to 1 ms, 2 ms, 4 ms, 8 ms, 16 ms, 32 ms, 64 ms, or 128 ms.		
Analog adjustment settings	2 controls (0 to 200 BCD)			
Certification	UL / CSA / CE (no CE for relay output units)			



CPM1



STANDARD MODELS

ITEM	MODEL	SPECIFICATIONS
CPU	CPM1-10CDR-A	6 input points, 4 output points, AC power supply
	CPM1-10CDR-D	6 input points, 4 output points, DC power supply
	CPM1-20CDR-A	12 input points, 8 output points, AC power supply
	CPM1-20CDR-D	12 input points, 8 output points, DC power supply
	CPM1-30CDR-A-VI	18 input points, 12 output points, AC power supply
	CPM1-30CDR-D-VI	18 input points, 12 output points, DC power supply
Expansion I/O Module	CPM1-20EDR	12 input points, 8 output points
RS-232C Adapter	CPM1-CIF01	---
RS-422 Adapter	CPM1-CIF11	---

DIMENSIONS

	CPM1-10CDR-□	CPM1-20CDR-□	CPM1-30CDR-□-V1	CPM1-20EDR
Width	5.12in (130mm)	7.09in (180mm)	9.06in (230mm)	7.09in (180mm)
Depth	3.35in (85mm)			
Height	3.54in (90mm)			

GENERAL SPECIFICATIONS

ITEM	10-POINT I/O	20-POINT I/O	30-POINT I/O	
Supply voltage	AC type DC type	100 to 240 VAC, 50/60 Hz 24 VDC		
Operating voltage range	AC type DC type	85 to 264 VAC 20.4 to 26.4 VDC		
Power consumption	AC type DC type	60 VA max. 20 W max.		
Inrush current	60 A max.			
External power supply (AC type only)	Supply voltage	24VDC		
	Output capacity	300 mA		
Control method	Stored program method			
I/O control method	Cyclic scan with direct output; immediate refresh processing			
Programming language	Ladder diagram			
Instruction length	1 step per instruction, 1 to 5 words per instruction			
Types of instructions	Basic instructions:	14		
	Special instructions:	77 types		
Execution time	Basic instructions:	0.72 to 16.2 ms		
	Special instructions:	MOV = 16.3 ms		
Program capacity	2,048 words			
Maximum I/O points	CPU only	10 points (6 input/ 4 output points)	20 points (12 input/ 8 output points)	30 points (18 input/ 12 output points)
	With Expansion I/O Module	30 points (18 input/ 12 output points)	40 points (24 input/ 16 output points)	90 points (54 input/ 36 output points)
Input bits	00000 to 00915 (Bits not used as input bits can be used as work bits.)			
Output bits	01000 to 01915 (Bits not used as output bits can be used as work bits.)			
Work bits	640 bits: 20000 to 23915 (Words IR 200 to IR 239)			
Special bits (SR area)	256 bits: 24000 to 25507 (Words IR 240 to IR 255)			
Temporary bits (TR area)	8 bits (TR0 to TR7)			
Holding bits (HR area)	320 bits: HR 0000 to HR 1915 (Words HR 00 to HR 19)			
Auxiliary bits (AR area)	256 bits: AR 0000 to AR 1515 (Words AR 00 to AR 15)			
Link bits (LR area)	256 bits: LR 0000 to LR 1515 (Words LR 00 to LR 15)			
Timers/Counters	128 timers/counters (TIM/CNT 000 to TIM/CNT 127) 100-ms timers: TIM 000 to TIM 127 10-ms timers: TIM 000 to TIM 003 Decrementing counters and reversible counters			
Data memory	Read/Write: 1,024 words (DM 0000 to DM 1023) Read-only: 512 words (DM 6144 to 6655)			
Interrupt processing	External interrupts: 2 (Response time: 0.3 ms max.)	External interrupts: 4 (Response time: 0.3 ms max.)		
Memory Backup	Flash memory: The memory and read-only DM area are backed up without battery Capacitor backup: The read/write DM area, HR area, AR area, and counter values are backed up by a capacitor for 20 days at 77 °F (25 °C)			
Memory protection	HR, AR, and DM area contents; and counter values maintained during power interruptions.			
Self-diagnostic functions	CPU failure (watchdog timer), I/O bus error, and memory failure			
Program checks	No END instruction, programming errors (continuously checked during operation)			
High-speed counter	One high-speed counter: 5 kHz single-phase or 2.5 kHz two-phase (linear count method) Increment mode: 0 to 65,535 (16 bits) Up/Down mode: -32,767 to 32,767 (16 bits)			
Quick-response inputs	External interrupts: 2 Min. input pulse width: 0.2 ms	External interrupts: 4 Min. input pulse width: 0.2 ms		
Input time constant	Can be set to 1 ms, 2 ms, 4 ms, 8 ms, 16 ms, 32 ms, 64 ms, or 128 ms.			
Analog adjustment settings	2 controls (0 to 200 BCD)			
Certification	UL / CSA / CE			

OMRON®

<http://www.omron.com>

CONTROL FAX
OMRON'S AUTOMATED
FAX INFORMATION SYSTEM
847.843.1963
Dial #50 for a directory of all documents.

© 1998 OMRON ELECTRONICS, INC.

OMRON ELECTRONICS, INC.
Industrial Automation Division
One East Commerce Drive
Schaumburg, IL 60173 USA

OMRON CANADA, INC.
885 Milner Avenue
Scarborough, Ontario M1B 5V8

SB CPM1ASERIES-1 9/98/10M

For Distributor Locations or Product Information, Call:

800.55.OMRON

UNITED STATES REGIONAL SALES OFFICES

Northeast	Boston, MA	508.303.8880
East	Philadelphia, PA	610.524.1897
Southeast	Atlanta, GA	770.798.6780
Central	Cincinnati, OH	513.469.6766
Midwest	Chicago, IL	847.843.7910
Southwest	Dallas, TX	972.241.2597
West	Los Angeles, CA	714.621.3455

CANADA REGIONAL SALES OFFICES

Ontario	Toronto	416.286.6465
	Kitchener	519.896.1144
	Kingston	613.376.3968
Quebec	Montreal	514.636.6676
	Ste-Foy	418.658.2735
British Columbia	Vancouver	604.522.8855
Alberta	Edmonton	403.440.0818
	Calgary	403.257.3095

AUTHORIZED DISTRIBUTOR:



ASH & ALAIN